

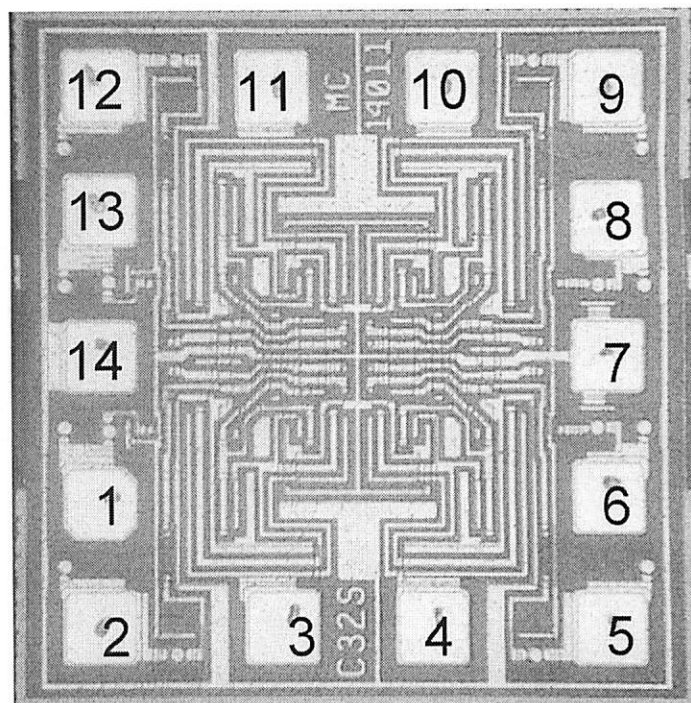


1805 Rutherford Lane
Austin, Texas 78754
phone: 512.834.2022
fax: 512.837.6285

MINCO
TECHNOLOGY LABS, INC.

Item Master: MO14011B REV C32S
 Manufacturer: MOTOROLA SEMICONDUCTOR
 Package Type: 14 PIN DIP CDIP2-T14-K2 KD 80290 HRC-672 LID HRC 431
 Die Mask: C32S
 Wire Size: 1 MIL
 Die Size: 40 x 42 x 14 MILS
 Package Volume cm^3 : .03678

Originator: BB M Date: 11/19/2010
 Checked By: MM Date: 11.19.2010
 Revision Level: * Date: 11.19.2010



42

mils

40

**THIS PIN IDENTIFICATION DRAWING IS INTENDED FOR MINCO'S INTERNAL USE ONLY.
 MINCO ACCEPTS NO LIABILITY FOR PRODUCT ASSEMBLED IN END PRODUCT
 APPLICATIONS PER THIS DRAWING.**

